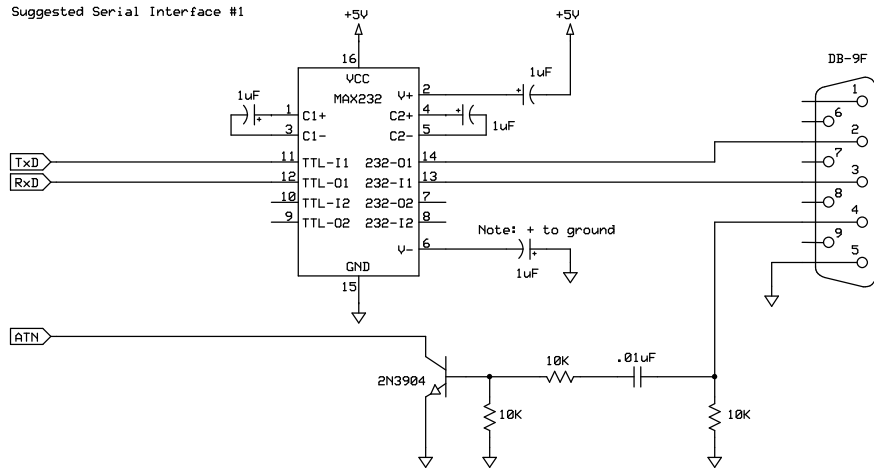
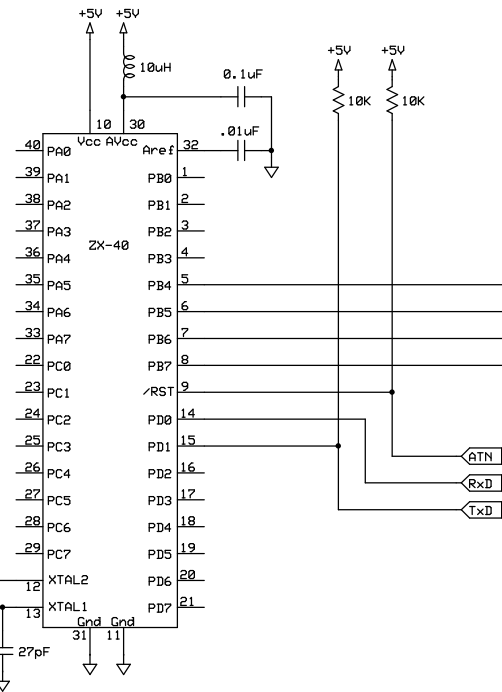
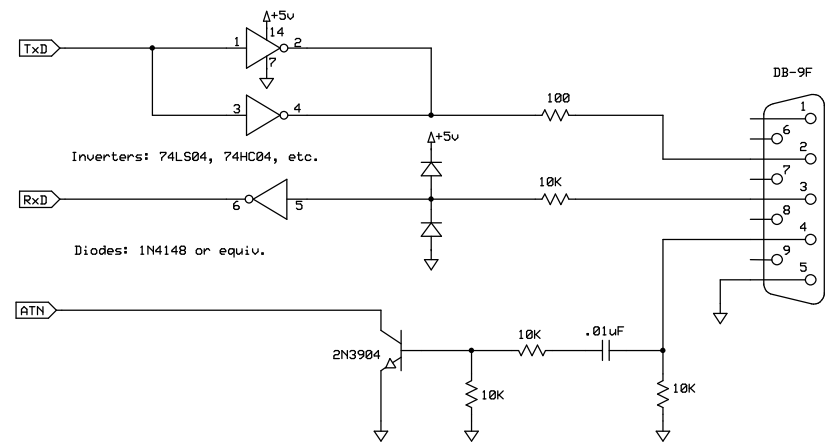


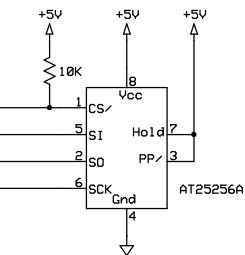
Suggested Serial Interface #1



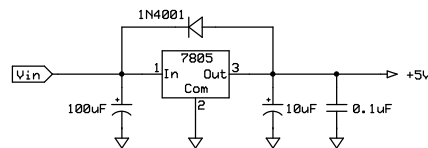
Suggested Serial Interface #2



Required for the ZX-40, ZX-40a, ZX-40b and ZX-40p only.



Voltage Regulator



Suggested Crystals:
 ECS-147.4-20-4 (Digi-Key X175-ND)
 ECS-147.4-20-1 (Digi-Key X142-ND)

Suggested Serial Interface #3

